



DINO

Art.No.	Type
---------	------

330-112-235-K2	DINO bollard lamp. LEDstrip 13W/830. CL.II. Opal white PC-screen. Hot galvanized steel.
330-112-245-K2	DINO bollard lamp. LEDstrip 13W/840. CL.II. Opal white PC-screen. Hot galvanized steel.
330-112-935-K2*	DINO bollard lamp. LEDstrip 13W/830. CL.II. Opal white PC-screen. Black RAL9005.*
330-112-945-K2*	DINO bollard lamp. LEDstrip 13W/840. CL.II. Opal white PC-screen. Black RAL9005.*

Accessories:

800-145-500	Insulation sleeve (foam block) Ø135/60 for poles Ø133/Ø108mm.
920-634-200	Turn securing for Ø108/Ø133mm pole. Hot galvanized plate.
800-13-133-2	Bracket f/OPUS74 outlet (excl). Fits t/Ø133mm mast. Hot galvanized steel.
800-13-133-9*	Bracket f/OPUS74 outlet (excl). Fits t/Ø133mm pole. Black RAL9005.*

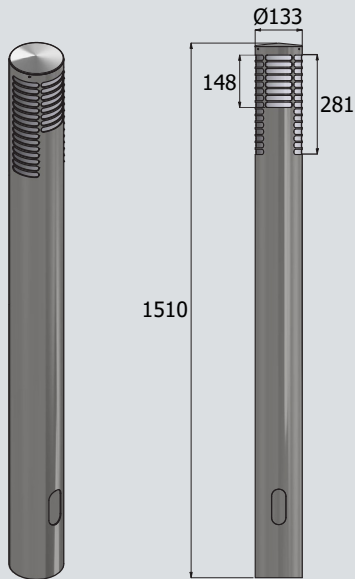
*Powder coated: The standard color is Black RAL9005. Other RAL colors on request with extra price.

Variation options:

- Light output from the luminaire: 590-609Lm.

Key features:

- 10 year anti-corrosion warranty (hot galvanized).
- 10 year reorder warranty.
- 5 year LED & driver warranty.
- Life expectancy: 50.000 hours.
- Integrated 6/10 kV surge protection.



David®

daidsuperlight.dk

