

**FIX**

Art.No.	Type
---------	------

<b>196-448-205</b>	FIX wall fixture. GU10. Clear PC-glass. Hot galvanized steel.
<b>196-448-305</b>	FIX wall fixture. GU10. Clear PC-glass. Solid copper.
<b>196-448-905*</b>	FIX wall fixture. GU10. Clear PC-glass. Black RAL9005.*

**Recommended Light Sources:**

<b>982-30-05-03</b>	Philips CorePRO LEDspotMV ND 4,6-50W. GU10. 36D. 15000h. 370Lm. 3000K.
<b>982-30-05-04</b>	Philips CorePRO LEDspotMV ND 4,6-50W. GU10. 36D. 15000h. 390Lm. 4000K.

**Accessories:**

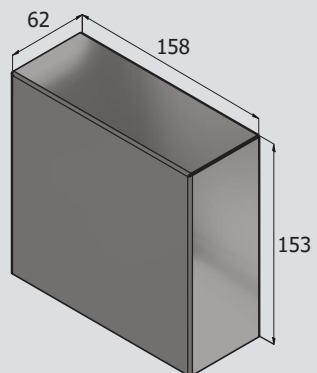
<b>830-12-N-11-2</b>	161x30mm pole f/FIX-FELIX. 1,14/0,64M f/burial. Hot galvanized steel.
<b>830-12-N-11-3</b>	161x30mm pole f/FIX-FELIX. 1,14/0,64M f/burial. Solid copper.
<b>830-12-N-11-9*</b>	161x30mm pole f/FIX-FELIX. 1,14/0,64M f/burial. Black RAL9005.*
<b>999husnr.</b>	House number. (When purchasing a minimum of 20 pcs.)

\*Powder coated: The standard color is Black RAL9005. Other RAL colors on request with extra price.

Note: See the back plate/mounting sketch under the individual product on [davidsuperlight.com](http://davidsuperlight.com)

**Key features:**

- 10 year anti-corrosion warranty (hot galvanized).
- 10 year reorder warranty.
- Easy light source change and great flexibility with retrofit LED.



# David®

[davidsuperlight.dk](http://davidsuperlight.dk)

