



HENRIK

Art.No.	Type
220-300-205	HENRIK bollard fitting exd TOWER pole. E27. Clear PC-screen. CL.I. Hot galvanized steel.
220-300-C05	HENRIK bollard fitting exd TOWER pole. E27. Clear PC-screen. CL.I. Cor-ten.
220-300-905*	HENRIK bollard fitting exd TOWER pole. E27. Clear PC-screen. CL.I. Black RAL9005.* Additional charge for protection class II double insulated. Prepared for fuse inset.

Recommended Light Sources:

982-70-09-03	Philips CorePRO LEDbulb ND 7,5-60W. E27. A60. 15000h. 806Lm. 3000K.
982-70-09-04	Philips CorePRO LEDbulb ND 7,5-60W. E27. A60. 15000h. 806Lm. 4000K.

Accessories:

890-701-200	TOWER pole 0,70M w/mounting hatch. 145/200mm. CL.II. Hot galvanized steel.
890-701-C00	TOWER pole 0,70M w/mounting hatch. 145/200mm. CL.II. Cor-ten.
890-701-900*	TOWER pole 0,70M w/mounting hatch. 145/200mm. CL.II. Black RAL9005.*
890-981-200	TOWER pole 0,98M w/mounting hatch. 145/200mm. CL. II. Hot galvanized steel.
890-981-C00	TOWER pole 0,98M w/mounting hatch. 145/200mm. CL. II. Cor-ten.
890-981-900*	TOWER pole 0,98M w/mounting hatch. 145/200mm. CL.II. Black RAL9005.*
920-650-200	TOWER foundation f/burial. 190x190x500mm. Hot galvanized.
800-145-500	Insulation sleeve (foam block) Ø135/60 for poles Ø133/Ø108mm.
920-634-200	Turn securing for Ø108/Ø133mm pole. Hot galvanized plate.
924-100-012	Fuse inset for Ø108/Ø133mm poles.
920-67-220-18	Cover screen 180°. Hot galvanized plate. (Also available in 120°)

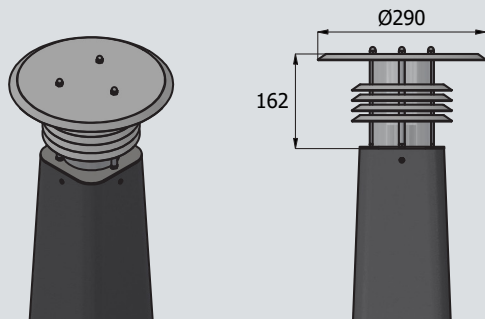
*Powder coated: The standard color is Black RAL9005. Other RAL colors on request with extra price.

Variation options:

- Also available with opal white PC-screen.
- Also available with clear or opal glass.

Key features:

- 10 year anti-corrosion warranty (hot galvanized).
- 10 year reorder warranty.
- Easy light source change and great flexibility with retrofit LED.



daidsuperlight.dk

