



# JUELSMINDE

Art.No.	Type
167-41A-230	JUELSMINDE wall fixture. LEDstrip 8W/830. Acrylic glass santinated. Hot galvanized steel.
167-41A-240	JUELSMINDE wall fixture. LEDstrip 8W/840. Acrylic glass santinated. Hot galvanized steel.
167-41A-330	JUELSMINDE wall fixture. LEDstrip 8W/830. Acrylic glass santinated. Solid copper.
167-41A-340	JUELSMINDE wall fixture. LEDstrip 8W/840. Acrylic glass santinated. Solid copper.
167-41A-930*	JUELSMINDE wall fixture. LEDstrip 8W/830. Acrylic glass santinated. Black RAL9005.*
167-41A-940*	JUELSMINDE wall fixture. LEDstrip 8W/840. Acrylic glass santinated. Black RAL9005.*

---

**Accessories:**

999husnr.	House number. (When purchasing a minimum of 20 pcs.)
-----------	--

\*Powder coated: The standard color is Black RAL9005. Other RAL colors on request with extra price.

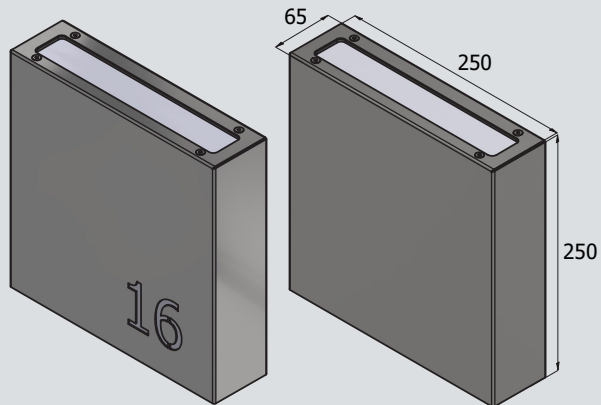
Note: See the back plate/mounting sketch under the individual product on [davidsuperlight.com](http://davidsuperlight.com)

Variation options:

- Light output from the luminaire: 354-371Lm.

Key features:

- 10 year anti-corrosion warranty (hot galvanized).
- 10 year reorder warranty.
- 5 year LED & driver warranty.
- Life expectancy: 50.000 hours.
- Integrated 2 kV surge protection.



[davidsuperlight.dk](http://davidsuperlight.dk)

