



MACON G2

Art.No.	Type
350-102-206	MACON G2 bollard fitting excl pole. E27. Satine acrylic-screen. CL.I. Hot galvanized steel.
350-102-906*	MACON G2 bollard fitting excl pole. E27. Satine acrylic-screen. CL.I. Black RAL9005.* Additional charge for protection class II double insulated.

Recommended Light Sources:

982-70-11-03	Philips CorePRO LEDbulb ND 10,5-75W. E27. A60. 15000h. 1055Lm. 3000K.
982-70-11-04	Philips CorePRO LEDbulb ND 10-75W. E27. A60. 15000h. 1055Lm. 4000K.

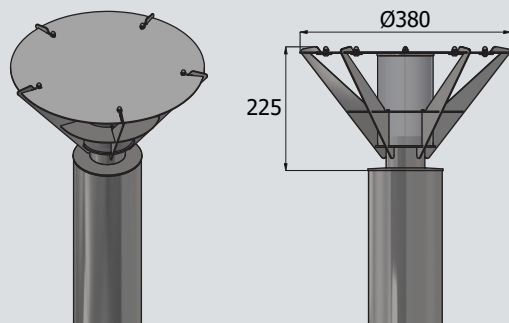
Accessories:

880-150-200	Ø133mm pole f/burial. 1,50/1,00M. CL.I. Hot galvanized steel.
880-150-900*	Ø133mm pole f/burial. 1,50/1,00M. CL.I. Black RAL9005.* Additional charge for pole for class II bollard fittings. Delivered with mounting hatch. See page 110.
800-145-500	Insulation sleeve (foam block) Ø135/60 for poles Ø133/Ø108mm.
920-634-200	Turn securing for Ø108/Ø133mm pole. Hot galvanized plate.
800-13-133-2	Bracket f/OPUS74 outlet (excl). Fits t/Ø133mm pole. Hot galvanized steel.
800-13-133-9*	Bracket f/OPUS74 outlet (excl). Fits t/Ø133mm pole. Black RAL9005.*
920-67-350-18	Cover screen 180°. Hot galvanized plate. (Also available in 120°) ----- Several variations of poles, accessories and spare parts. See page 103-130 -----

*Powder coated: The standard color is Black RAL9005. Other RAL colors on request with extra price.

Key features:

- 10 year anti-corrosion warranty (hot galvanized).
- 10 year reorder warranty.
- Easy light source change and great flexibility with retrofit LED.



David®

daidsuperlight.dk 

