



**MIKE**

Art.No.	Type
<b>250-300-205</b>	MIKE bollard fitting excl TOWER pole. E27. Clear PC-screen. CL.I. Hot galvanized steel.
<b>250-300-C05</b>	MIKE bollard fitting excl TOWER pole. E27. Clear PC-screen. CL.I. Cor-ten.
<b>250-300-905*</b>	MIKE bollard fitting excl TOWER pole. E27. Clear PC-screen. CL.I. Black RAL9005.* Additional charge for protection class II double insulated. Prepared for fuse inset.

**Recommended Light Sources:**

<b>982-70-11-03</b>	Philips CorePRO LEDbulb ND 10,5-75W. E27. A60. 15000h. 1055Lm. 3000K.
<b>982-70-11-04</b>	Philips CorePRO LEDbulb ND 10-75W. E27. A60. 15000h. 1055Lm. 4000K.

**Accessories:**

<b>890-701-200</b>	TOWER pole 0,70M w/mounting hatch. 145/200mm. CL.II. Hot galvanized steel.
<b>890-701-C00</b>	TOWER pole 0,70M w/mounting hatch. 145/200mm. CL.II. Cor-ten.
<b>890-701-900*</b>	TOWER pole 0,70M w/mounting hatch. 145/200mm. CL.II. Black RAL9005.*
<b>890-981-200</b>	TOWER pole 0,98M w/mounting hatch. 145/200mm. CL.II. Hot galvanized steel.
<b>890-981-C00</b>	TOWER pole 0,98M w/mounting hatch. 145/200mm. CL.II. Cor-ten.
<b>890-981-900*</b>	TOWER pole 0,98M w/mounting hatch. 145/200mm. CL.II. Black RAL9005.*
<b>920-650-200</b>	TOWER foundation f/burial. 190x190x500mm. Hot galvanized.
<b>800-145-500</b>	Insulation sleeve (foam block) Ø135/60 for poles Ø133/Ø108mm.
<b>920-634-200</b>	Turn securing for Ø108/Ø133mm pole. Hot galvanized plate.
<b>924-100-012</b>	Fuse inset for Ø108/Ø133mm poles.
<b>920-67-250-18</b>	Cover screen 180°. Hot galvanized plate. (Also available in 120°)

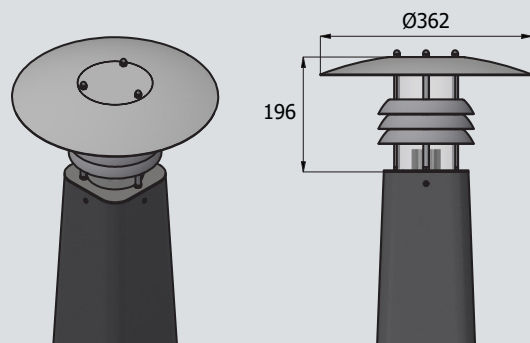
\*Powder coated: The standard color is Black RAL9005. Other RAL colors on request with extra price.

**Variation options:**

- Also available with opal white PC-screen.

**Key features:**

- 10 year anti-corrosion warranty (hot galvanized).
- 10 year reorder warranty.
- Easy light source change and great flexibility with retrofit LED.



**David**<sup>®</sup>

daidsuperlight.dk 

