

CE

LED

IP56

230V

IK10



QuarkLED

Art.No.	Type
551-70AS-235-K2	QuarkLED AS bollard fitting excl pole. SLM 7W/830. Clear PC-Screen. CL.II. Hot galvanized steel.
551-70AS-245-K2	QuarkLED AS bollard fitting excl pole. SLM 7W/840. Clear PC-Screen. CL.II. Hot galvanized steel.
551-70AS-935-K2*	QuarkLED AS bollard fitting excl pole. SLM 7W/830. Clear PC-Screen. CL.II. Black RAL9005.*
551-70AS-945-K2*	QuarkLED AS bollard fitting excl pole. SLM 7W/840. Clear PC-Screen. CL.II. Black RAL9005.*
551-71AS-235-K2	QuarkLED AS bollard fitting excl pole. SLM 10W/830. Clear PC-Screen. CL.II. Hot galvanized steel.
551-71AS-245-K2	QuarkLED AS bollard fitting excl pole. SLM 10W/840. Clear PC-Screen. CL.II. Hot galvanized steel.
551-71AS-935-K2*	QuarkLED AS bollard fitting excl pole. SLM 10W/830. Clear PC-Screen. CL.II. Black RAL9005.*
551-71AS-945-K2*	QuarkLED AS bollard fitting excl pole. SLM 10W/840. Clear PC-Screen. CL.II. Black RAL9005.*

Accessories:

880-121-200	Ø133mm pole f/burial. 1,20/0,70M w/mounting hatch. CL. II. Hot galvanized steel.
880-121-900*	Ø133mm pole f/burial. 1,20/0,70M w/mounting hatch. CL.II. Black RAL9005.*
800-145-500	Insulation sleeve (foam block) Ø135/60 for poles Ø133/Ø108mm.
920-634-200	Turn securing for Ø108/Ø133mm pole. Hot galvanized plate.
920-100-012	Fuse inset for Ø108/Ø133mm poles.
800-13-133-2	Bracket f/OPUS74 outlet (excl). Fits t/Ø133mm pole. Hot galvanized steel.
800-13-133-9*	Bracket f/OPUS74 outlet (excl). Fits t/Ø133mm pole. Black RAL9005.*
	----- Several variations of poles, accessories and spare parts. See page 103-130 -----

*Powder coated: The standard color is Black RAL9005. Other RAL colors on request with extra price.

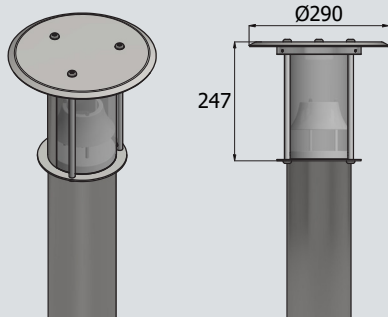
Note: QuarkLED AS is supplied with a built-in Screen.

Variation options:

- Light output from the luminaire: 620-910Lm.
- Can also be supplied as circularly symmetrical.

Key features:

- 10 year anti-corrosion warranty (hot galvanized).
- 10 year reorder warranty.
- 5 year LED warranty.
- 230V LED module. No driver.
- Life expectancy: 50.000 hours.
- Integrated 6/10 kV surge protection.



David®

davidsuperlight.dk 