

CE

LED

IP56

230V

IK10



CLO



QuiQ

Art.No.	Type
---------	------

674-210A-204-K2 QuiQ street fitting excl pole. FastFlex LED 10W/740/1956Lm. Clear PC. CL.II. Hot galvanized steel.

674-215A-204-K2 QuiQ street fitting excl pole. FastFlex LED 15W/740/2748Lm. Clear PC. CL.II. Hot galvanized steel.

674-220A-204-K2 QuiQ street fitting excl pole. FastFlex LED 20W/740/3680Lm. Clear PC. CL.II. Hot galvanized steel.

674-230A-204-K2 QuiQ street fitting excl pole. FastFlex LED 30W/740/5214Lm. Clear PC. CL.II. Hot galvanized steel.

+ **PROG01** Dimmer profil 01 = ON/OFF without dimming

+ **PROG07** Dimmer profil 07 = 60% 20:00-22:00, 40% 22:00-05:00, 60% 05:00-06:00 (stepdimmer).

See other dimming profiles on page 100.

Accessories:

802-70-035-2 Ø60/117mm conical pole. LPH 3,50M f/burial. 4,10/3,50M. Hot galvanized steel.

800-145-500 Insulation sleeve (foam block) Ø135/60 for poles Ø133/Ø108mm.

920-634-200 Turn securing for Ø108/Ø133mm pole. Hot galvanized plate.

924-100-002 Fuse inset MINI for Ø108/Ø133mm poles (fits to LPH 2,50M and 3,00M).

800-13-108-2 Bracket f/OPUS74 outlet (excl). Fits t/Ø108mm pole. Hot galvanized steel.

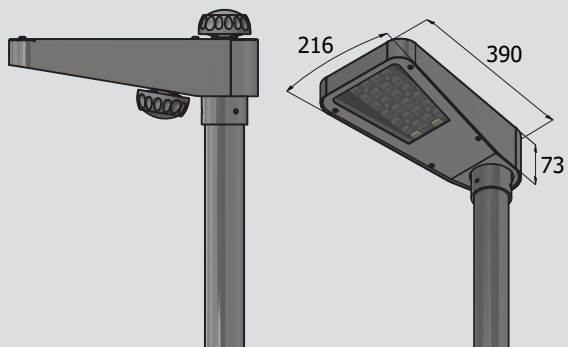
----- Several variations of poles, accessories and spare parts. See page 103-130 -----

Variation options:

- Available with 3000K.
- Possibility of project-oriented configuration.
- Available with different lenses.
- Dimmable with DynaDimmer.
- Available with DALI.
- Available with zhaga socket top/bottom excl. sensor.
- Built-in control on request.
- Light output from the luminaire: 997-2859Lm.

Key features:

- 10 year anti-corrosion warranty (hot galvanized).
- 10 year reorder warranty.
- 5 year LED & driver warranty.
- Life expectancy: 100.000 hours.
- Integrated 6/10 kV surge protection.
- Supplied with 3,5M or 5M or 8M cable.



David®

daidsuperlight.dk 

