

CE

LED

IP66

230V

IK10



RobertLED

Art.No.	Type
370-13B-236	Robert1LED bollard lamp. LEDstrip 7W/830. CL.I. Opal white PC-screen. Hot galvanized steel.
370-13B-246	Robert1LED bollard lamp. LEDstrip 7W/840. CL.I. Opal white PC-screen. Hot galvanized steel.
370-13B-936*	Robert1LED bollard lamp. LEDstrip 7W/830. CL.I. Opal white PC-screen. Black RAL9005.*
370-13B-946*	Robert1LED bollard lamp. LEDstrip 7W/840. CL.I. Opal white PC-screen. Black RAL9005.*
372-13B-236	Robert2LED bollard lamp. LEDstrip 13W/830. CL.I. Opal white PC-screen. Hot galvanized steel.
372-13B-246	Robert2LED bollard lamp. LEDstrip 13W/840. CL.I. Opal white PC-screen. Hot galvanized steel.
372-13B-936*	Robert2LED bollard lamp. LEDstrip 13W/830. CL.I. Opal white PC-screen. Black RAL9005.*
372-13B-946*	Robert2LED bollard lamp. LEDstrip 13W/840. CL.I. Opal white PC-screen. Black RAL9005.*
	Additional charge for protection class II double insulated.
	----- Accessories and spare parts. See page 115 -----
Accessories:	
920-652-200	Foundation f/burial. 0,50M. Hot galvanized steel.

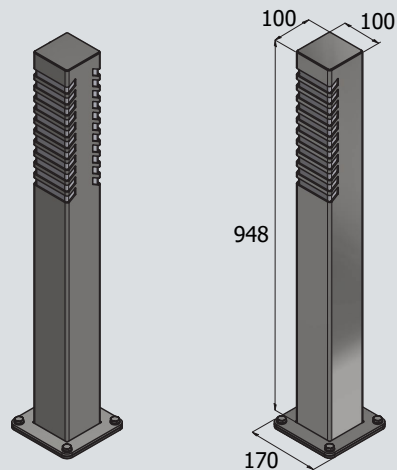
*Powder coated: The standard color is Black RAL9005. Other RAL colors on request with extra price.

Variation options:

- Light output from the luminaire:
 - Robert1LED: 303-328Lm.
 - Robert2LED: 727-798Lm.

Key features:

- 10 year anti-corrosion warranty (hot galvanized).
- 10 year reorder warranty.
- 5 year LED & driver warranty.
- Life expectancy: 50.000 hours.
- Integrated 6/10 kV surge protection.



David®

davidsuperlight.dk 