



# SAMSONmini

Art.No.	Type
650-100-206	SAMSONmini bollard fitting excl pole. E27. Opal white PC-screen. CL.I. Hot galvanized steel.
650-100-906*	SAMSONmini bollard fitting excl pole. E27. Opal white PC-screen. CL.I. Black RAL9005.* Additional charge for protection class II double insulated.

**Recommended Light Sources:**

982-70-09-03	Philips CorePRO LEDbulb ND 7,5-60W. E27. A60. 15000h. 806Lm. 3000K.
982-70-09-04	Philips CorePRO LEDbulb ND 7,5-60W. E27. A60. 15000h. 806Lm. 4000K.

**Accessories:**

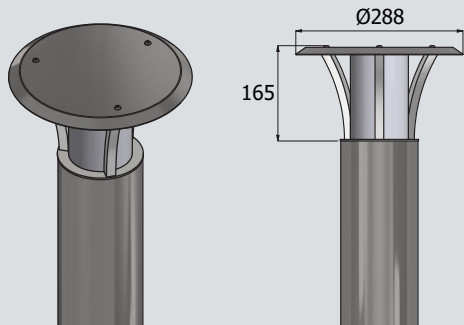
880-120-200	Ø133mm pole f/burial. 1,20/0,70M. CL.I. Hot galvanized steel.
880-120-900*	Ø133mm pole f/burial. 1,20/0,70M. CL.I. Black RAL9005.* Additional charge for pole for class II bollard fittings. Delivered with mounting hatch. See page 110.
800-145-500	Insulation sleeve (foam block) Ø135/60 for poles Ø133/Ø108mm.
920-634-200	Turn securing for Ø108/Ø133mm pole. Hot galvanized plate.
800-13-133-2	Bracket f/OPUS74 outlet (excl). Fits t/Ø133mm pole. Hot galvanized steel.
800-13-133-9*	Bracket f/OPUS74 outlet (excl). Fits t/Ø133mm pole. Black RAL9005.*
920-67-220-18	Cover screen 180°. Hot galvanized plate. (Also available in 120°) ----- Several variations of poles, accessories and spare parts. See page 103-130 -----

\*Powder coated: The standard color is Black RAL9005. Other RAL colors on request with extra price.

Note: Aluminum bars are not powder coated in painted design.

**Key features:**

- 10 year anti-corrosion warranty (hot galvanized).
- 10 year reorder warranty.
- Easy light source change and great flexibility with retrofit LED.



daidsuperlight.dk

