

CE

LED

IP56

230V

IK10



CLO

THORmaxiLED

Art.No.	Type
---------	------

551-222-245-K2	THORmaxiLED G1 park fitting excl. pole. DLM ES 18W/840. Clear PC. CL.II. Hot galvanized steel.
-----------------------	--

551-234-245-K2	THORmaxiLED G1 park fitting excl. pole. DLM ES 27W/840. Clear PC. CL.II. Hot galvanized steel.
-----------------------	--

551-228-245-K2	THORmaxiLED G2 park fitting excl. pole. DLM FLEX 18W/840. Clear PC. CL.II. Hot galvanized steel.
-----------------------	--

551-238-245-K2	THORmaxiLED G2 park fitting excl. pole. DLM FLEX 24W/840. Clear PC. CL.II. Hot galvanized steel.
-----------------------	--

551-248-245-K2	THORmaxiLED G2 park fitting excl. pole. DLM FLEX 32W/840. Clear PC. CL.II. Hot galvanized steel.
-----------------------	--

+ PROG01	Dimmer profil 01 = ON/OFF without dimming
-----------------	---

+ PROG07	Dimmer profil 07 = 60% 20:00-22:00, 40% 22:00-05:00, 60% 05:00-06:00 (stepdimmer).
-----------------	--

See other dimming profiles on page 100. **Note! Only DLM FLEX has the possibility of dimming.**

Accessories:

802-70-035-2	Ø60/117mm conical pole. LPH 3,50M f/burial. 4,10/3,50M. Hot galvanized steel.
---------------------	---

800-145-500	Insulation sleeve (foam block) Ø135/60 for poles Ø133/Ø108mm.
--------------------	---

920-634-200	Turn securing for Ø108/Ø133mm pole. Hot galvanized plate.
--------------------	---

924-100-002	Fuse inset MINI for Ø108/Ø133mm poles (fits to LPH 2,50M and 3,00M).
--------------------	--

800-13-108-2	Bracket f/OPUS74 outlet (excl). Fits t/Ø108mm pole. Hot galvanized steel.
---------------------	---

920-67-5512-18	Cover screen 180°. Hot galvanized plate. (Also available in 120°)
-----------------------	---

000-299-900	Surge protector >10 kV. Only relevant to THORmaxiLED G1.
--------------------	--

----- Several variations of poles, accessories and spare parts. See page 103-130 -----

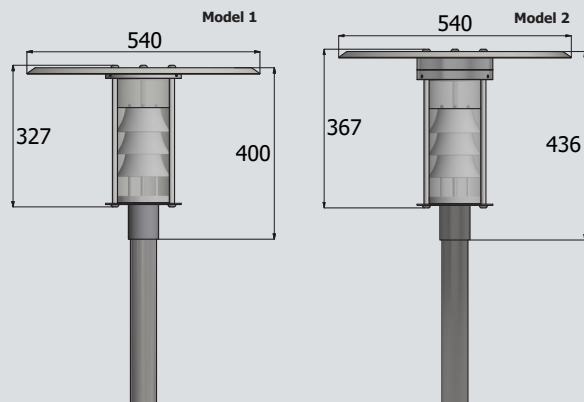
	THORmaxiLED Model 1 (G1)	THORmaxiLED Model 2 (G2)
Driver	230V LED module. No driver.	Philips Xitanium series
Operating hours driver	No driver	min. 100.000 hrs
LED module	Philips LED DLM EaseSelect	Philips LED DLM FLEX
Operating hours LED	min. 50.000 hrs	min. 50.000 hrs
Surge protection	No	>6/10 kV
Dimming	No	Yes. Multiple options.

Variation options:

- Available with 3000K.
- For Ø133mm cylindrical pole.
- With wall arm.
- Bigger top screen Ø730mm.
- Possibility of project-oriented configuration.
- Dimmable with DynaDimmer (G2).
- Available with DALI (G2).
- Can be delivered with asymmetric lenses (G2).
- Light output from the luminaire:
 - Model 1: 1640-2296Lm.
 - Model 2: 1890-2834Lm.

Key features:

- 10 year anti-corrosion warranty (hot galvanized).
- 10 year reorder warranty.
- 5 year LED & driver warranty.
- Supplied with 3,5M cable.



David®

davidsuperlight.dk

