

CE

LED

IP56

230V

IK10



CLO

**WILLIAM G3****Art.No. Type****1 board****671-30B-204-K2** WILLIAM G3 street fitting excl. pole. FastFlex LED 10W/740. Clear PC. CL.II. Hot galvanized steel.**671-31B-204-K2** WILLIAM G3 street fitting excl. pole. FastFlex LED 15W/740. Clear PC. CL.II. Hot galvanized steel.**671-32B-204-K2** WILLIAM G3 street fitting excl. pole. FastFlex LED 24W/740. Clear PC. CL.II. Hot galvanized steel.**2 board****672-33B-204-K2** WILLIAM G3 street fitting excl. pole. FastFlex LED 30W/740. Clear PC. CL.II. Hot galvanized steel.**672-34B-204-K2** WILLIAM G3 street fitting excl. pole. FastFlex LED 47W/740. Clear PC. CL.II. Hot galvanized steel.**672-35B-204-K2** WILLIAM G3 street fitting excl. pole. FastFlex LED 56W/740. Clear PC. CL.II. Hot galvanized steel.**+ PROG01** Dimmer profil 01 = ON/OFF without dimming**+ PROG07** Dimmer profil 07 = 60% 20:00-22:00, 40% 22:00-05:00, 60% 05:00-06:00 (stepdimmer).

See other dimming profiles on page 100.

Accessories:**802-70-035-2** Ø60/117mm conical pole. LPH 3,50M f/burial. 4,10/3,50M. Hot galvanized steel.**802-70-060-2** Ø60/130mm conical pole. LPH 6,00M f/burial. 7,00/6,00M. Hot galvanized steel.**802-70-060-2** Insulation sleeve (foam block) Ø135/60 for poles Ø133/Ø108mm.**920-634-200** Turn securing for Ø108/Ø133mm pole. Hot galvanized plate.**924-100-002** Fuse inset MINI for Ø108/Ø133mm poles (fits to LPH 2,50M and 3,00M).**924-100-012** Fuse inset for Ø108/Ø133mm poles.**800-13-108-2** Bracket f/OPUS74 outlet (excl). Fits t/Ø108mm pole. Hot galvanized steel.

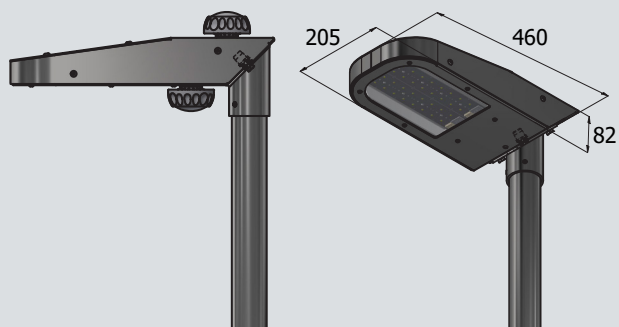
----- Several variations of poles, accessories and spare parts. See page 103-130 -----

Variation options:

- Available with 3000K.
- Possibility of project-oriented configuration.
- Available with different lenses.
- Can be supplied as top or side mounted.
- Dimmable with DynaDimmer.
- Available with DALI.
- Available with zhaga socket top/bottom excl. sensor.
- Built-in control on request.
- Light output from the luminaire: 1327-7313Lm.

Key features:

- 10 year anti-corrosion warranty (hot galvanized).
- 10 year reorder warranty.
- 5 year LED & driver warranty.
- Life expectancy: 100.000 hours.
- Integrated 6/10 kV surge protection.
- Supplied with 5M or 8M cable.

Built-in Zhaga**David**[®]davidsuperlight.dk 