

CE LED IP56 230V IK10   CLO

brIQ G2

Art.No.	Type
---------	------

<b>674-20B-204-K2</b>	brIQ G2 street fitting excl pole. FastFlex LED 11W/740. Clear PC. CL.II. Hot galvanized steel.
<b>674-21B-204-K2</b>	brIQ G2 street fitting excl pole. FastFlex LED 14W/740. Clear PC. CL.II. Hot galvanized steel.
<b>674-22B-204-K2</b>	brIQ G2 street fitting excl pole. FastFlex LED 20W/740. Clear PC. CL.II. Hot galvanized steel.
<b>674-23B-204-K2</b>	brIQ G2 street fitting excl pole. FastFlex LED 27W/740. Clear PC. CL.II. Hot galvanized steel.
<b>+ PROG01</b>	Dimmer profil 01 = ON/OFF without dimming
<b>+ PROG07</b>	Dimmer profil 07 = 60% 20:00-22:00, 40% 22:00-05:00, 60% 05:00-06:00 (stepdimmer). See other dimming profiles on page 100.

**Accessories:**

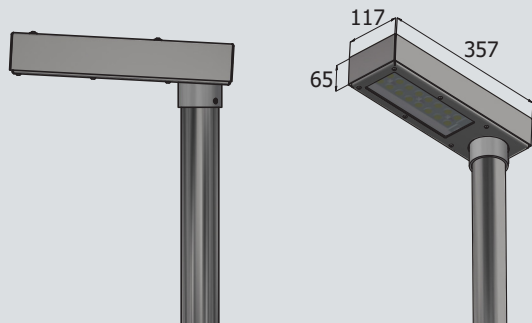
<b>802-70-035-2</b>	Ø60/117mm conical pole. LPH 3,50M f/burial. 4,10/3,50M. Hot galvanized steel.
<b>800-145-500</b>	Insulation sleeve (foam block) Ø135/60 for poles Ø133/Ø108mm.
<b>920-634-200</b>	Turn securing for Ø108/Ø133mm pole. Hot galvanized plate.
<b>924-100-002</b>	Fuse inset MINI for Ø108/Ø133mm poles (fits to LPH 2,50M and 3,00M).
<b>800-13-108-2</b>	Bracket f/OPUS74 outlet (excl). Fits t/Ø108mm pole. Hot galvanized steel. ----- Several variations of poles, accessories and spare parts. See page 103-130 -----

**Variation options:**

- Available with 3000K.
- Possibility of project-oriented configuration.
- Available with different lenses.
- Can be supplied as top or side mounted.
- Dimmable with DynaDimmer.
- Available with DALI.
- Light output from the luminaire: 1401-3499Lm.

**Key features:**

- 10 year anti-corrosion warranty (hot galvanized).
- 10 year reorder warranty.
- 5 year LED & driver warranty.
- Life expectancy: 100.000 hours.
- Integrated 6/10 kV surge protection.
- Supplied with 5M cable.



David® 

daidsuperlight.dk 

